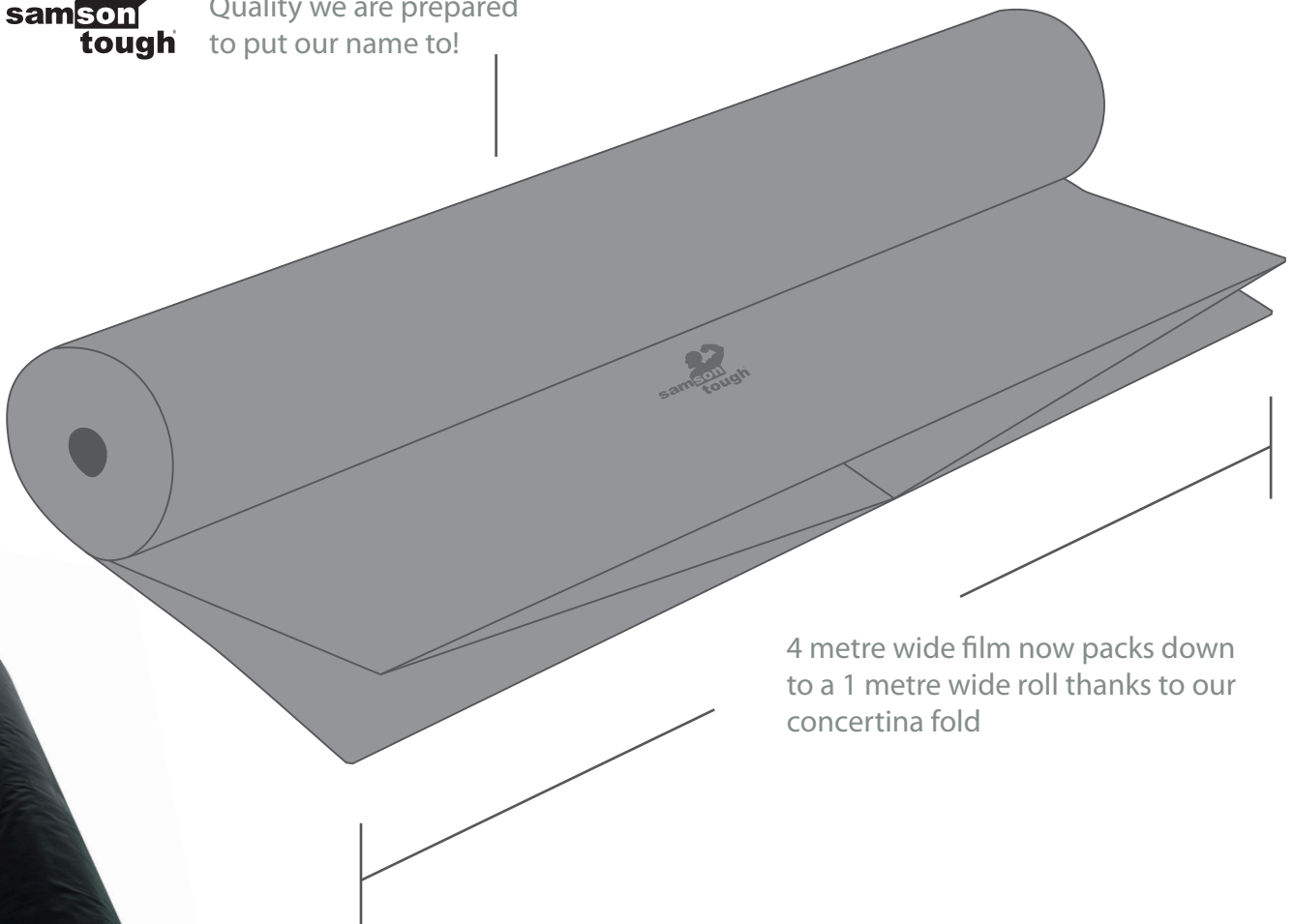


NEW PRODUCT – 200um BUILDERS FILM RETAIL ROLL

We at Paccom are always looking for improvements for our clients. Together with our factory we have developed a new folding system to improve the handling and cost effectiveness of Samson Tough film for our hardware and trade distributors.



Quality we are prepared
to put our name to!



4 metre wide film now packs down
to a 1 metre wide roll thanks to our
concertina fold

Our new product is a real innovation!

- More than 25% lighter and much safer to handle than conventional rolls.
- Huge savings on transport costs and valuable storage space – fits onto a standard pallet.
- Manufactured to AS2870-1996 with our Samson Tough seal of quality printed on the film.
- Built in tape measure! Our quality seal is printed at 500mm centres for easy measuring off the roll.

Product specification: 4 metres x 36 metres x 200um medium-impact black LDPE.